

OPAL

PERFORMANCE ROOFLIGHT

CONTEMPORARY FIXED
ROOF-LIGHT SYSTEM
PROVIDING **MAXIMUM** DAYLIGHT
WITH **MINIMAL** FRAMEWORK.



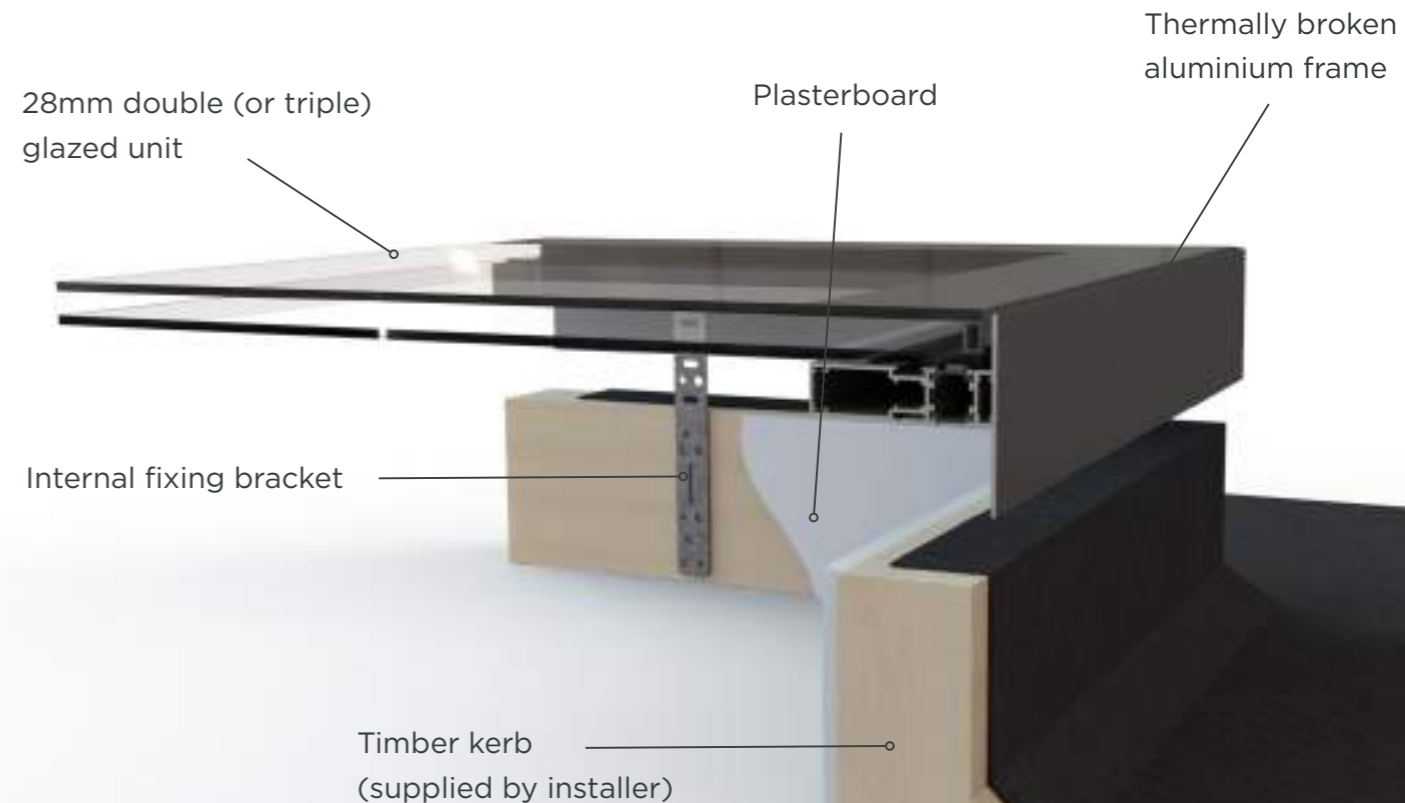
AESTHETICALLY PLEASING.

- Ultra modern, slimline design
- More visible glass than a traditional pitched roof-light
- Low profile design makes for easy maintenance and unobstructed views
- No exterior trims, flashings or fixings
- Modular and bespoke sizes available
- Available in any RAL colour (RAL 7016, 30% gloss as standard)
- 28mm toughened glass unit, ceramic border as standard
- Triple glazed unit available
- Maximum glazed area 3m²



TECHNICALLY ADVANCED.

- Pre-assembled and glazed with 28mm toughened glass as standard
- Thermally broken aluminium frame
- Suits kerb width of 48mm - 75mm (5° pitch required to shed water)
- 150mm minimum kerb height required at the lowest point (as per LABC guidelines)
- Noise reducing glass - available with triple glazing
- No external fixings - fixed internally for safer installation & ultimate security
- Mechanically cleated corners with secure hidden fixtures
- Manufactured to suit new & existing openings
- Centre pane U Values ranging from 0.6 to 1.2 W/m²K
- True one-piece fixing method making it one of the fastest & most secure roof-lights to install



PROVIDING A **CLEAR VIEW**
OF THE OUTSIDE WORLD.





Fixed internally for
ultimate security



Thermally broken.
0.6 -1.2 U-value



Fast installation - one
piece fixing method



RAL 7016 (std)
or in any RAL



